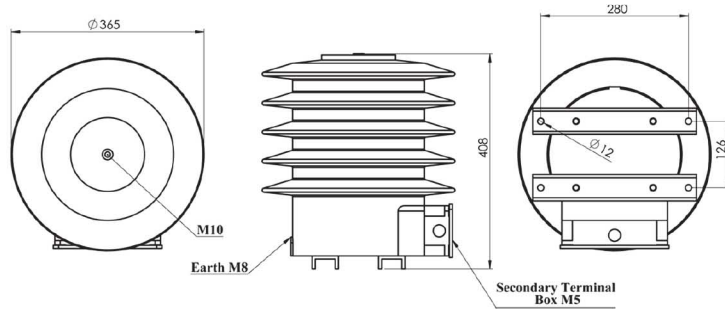


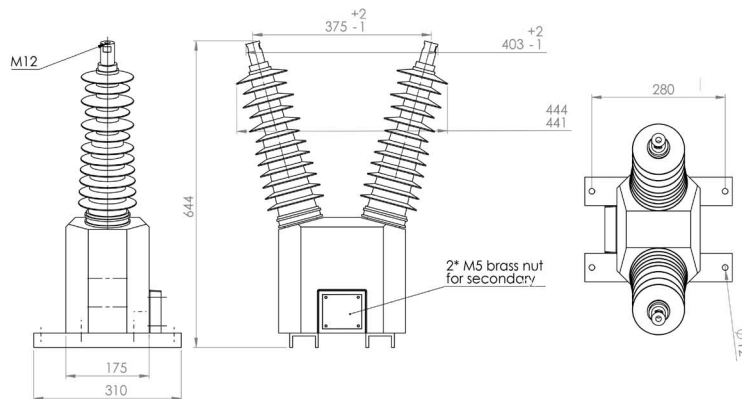
Medium Voltage Voltage Transformers

Outdoor Cast Resin Insulated

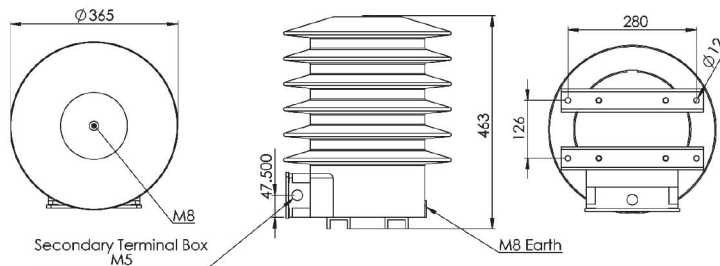
MOVT 20/1



MOVT 20/2



MOVT 30/1



Technical Specification

	MOVT 20/1	MOVT 20/2	MOVT 30/1
Highest voltage for equipment (kV)	24	24	36
Power frequency withstand voltage, 1 minute (kV)	50	50	70
Lightning impulse voltage (1.2/50 μ s full wave) (kV)	125	125	170
Rated frequency (Hz)	50 or 60	50 or 60	50 or 60
Max. rated primary voltage (kV)	$20/\sqrt{3}$	20	$33/\sqrt{3}$
Secondary thermal limiting output (VA)	600	600	600
Max. number of secondaries	3	2	3
Weight (Kg)	48	32	60
Secondary voltage	Any value up to 500 V		
*Accuracy class	0.2, 0.5, 1 / 3P, 6P		